



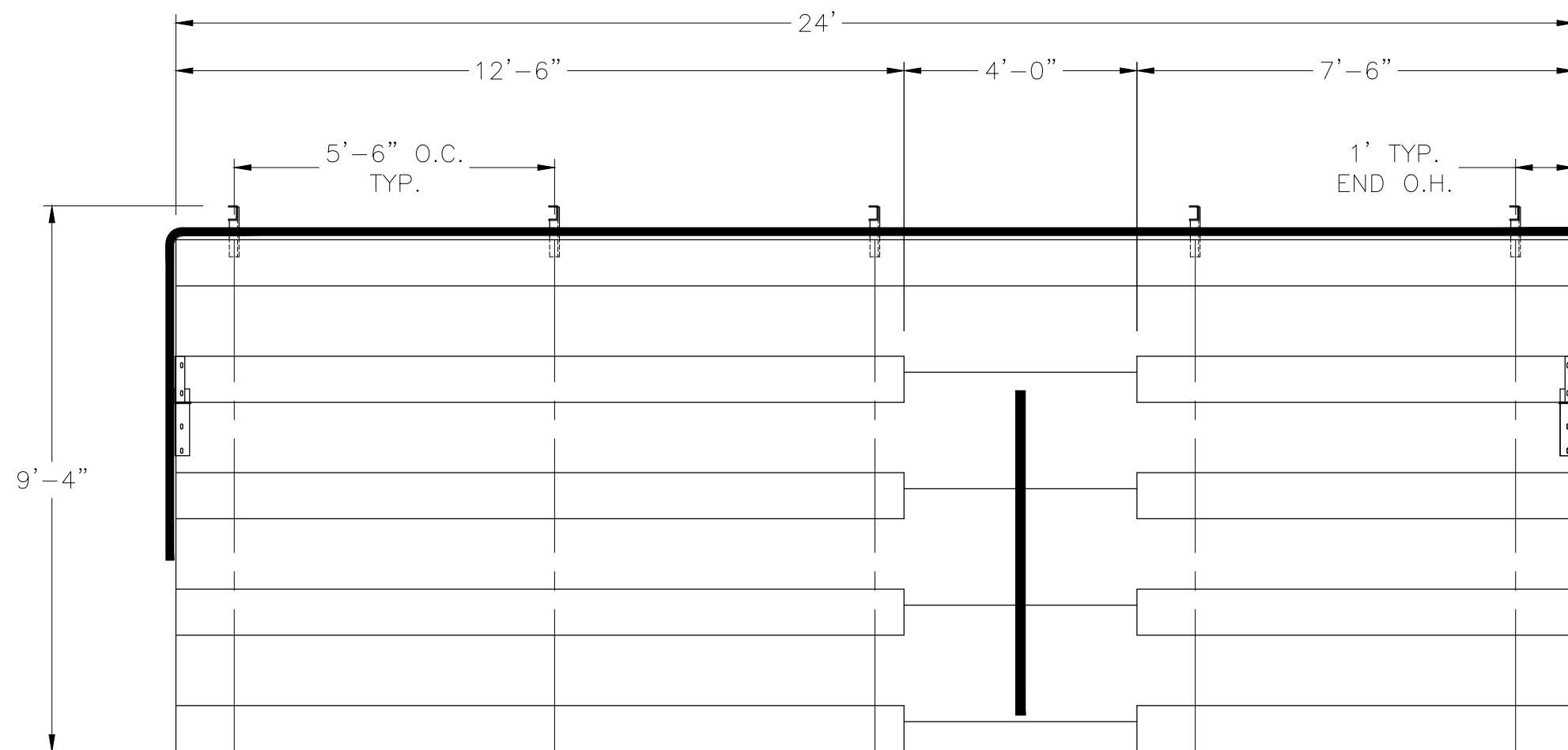
335bl630-2 & 335bl630-4 Assembly Drawings

5 Row - Transportable Bleachers - Away-Game Series - Optional Transport Kit - 24 Feet - Weight: 1641lbs - Seats 68

Park Warehouse, LLC

7495 W. Atlantic Ave. Suite 200-294, Delray Beach, FL 33446

CS.1	- COVER SHEET
TD.1	- BLEACHER SEATING PLAN
GS.1	- GROUND SILL PLAN
BA.1	- BLEACHER ASSEMBLY
PF.1	- PLANK & FRAMING PLAN
TA.1	- TRANSPORT KIT ASSEMBLY
TA.2	- TRANSPORT KIT ASSEMBLY
VA.1	- VERTICAL AISLE ASSEMBLY
GR.1	- GUARDRAIL ASSEMBLY
DS.1	- DETAIL SHEET



SECTION LENGTH	GROSS SEATS	ACTUAL SEATS	NO. OF ROWS	NET SEATS
24	16.00	16.00	1	16
12.5	8.33	8.00	4	32
7.5	5.00	5.00	4	20
NET SEATS				68
WHEELCHAIR SPACES				0
TOTAL NET SEATING CAPACITY (BASED ON 18" PER SEAT)				68

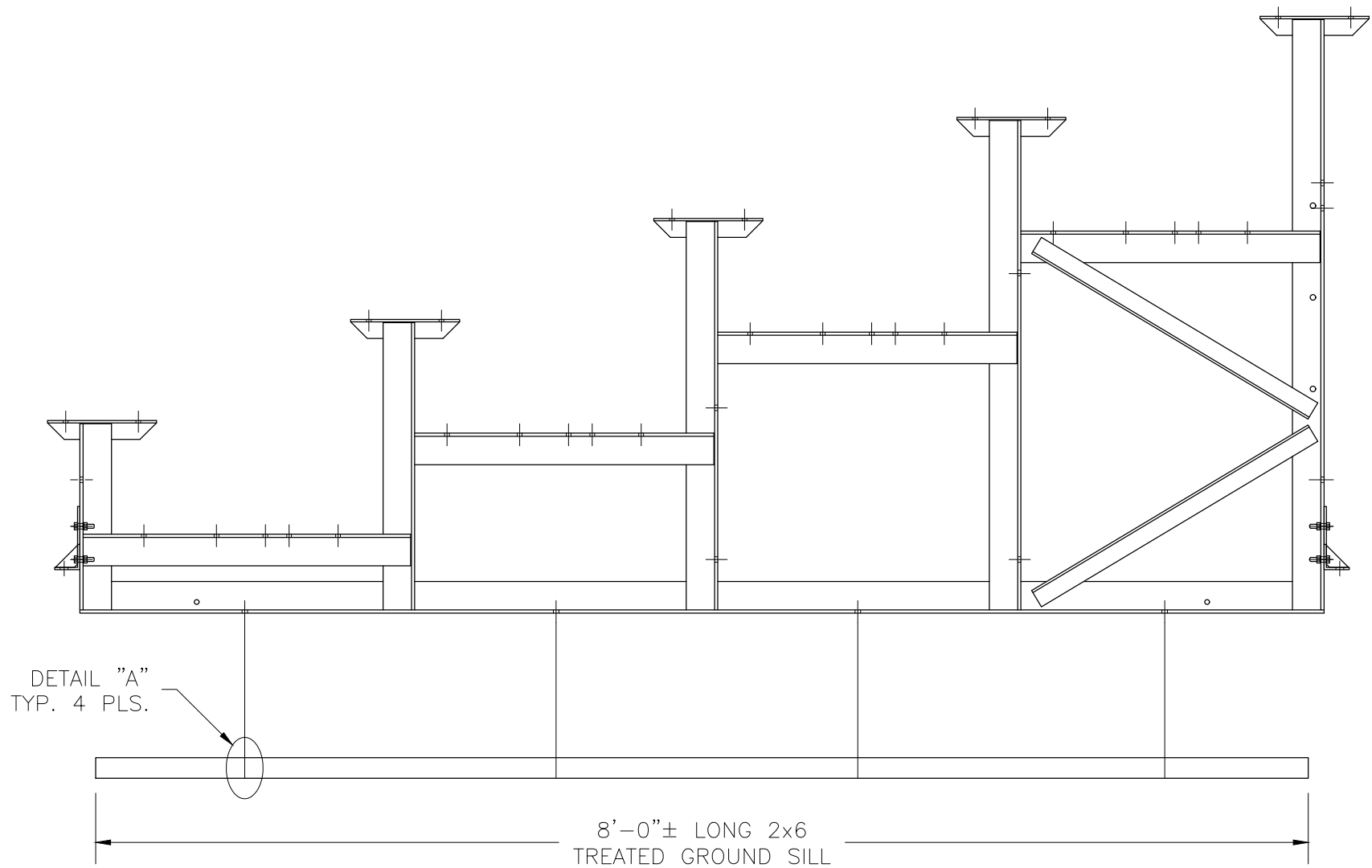
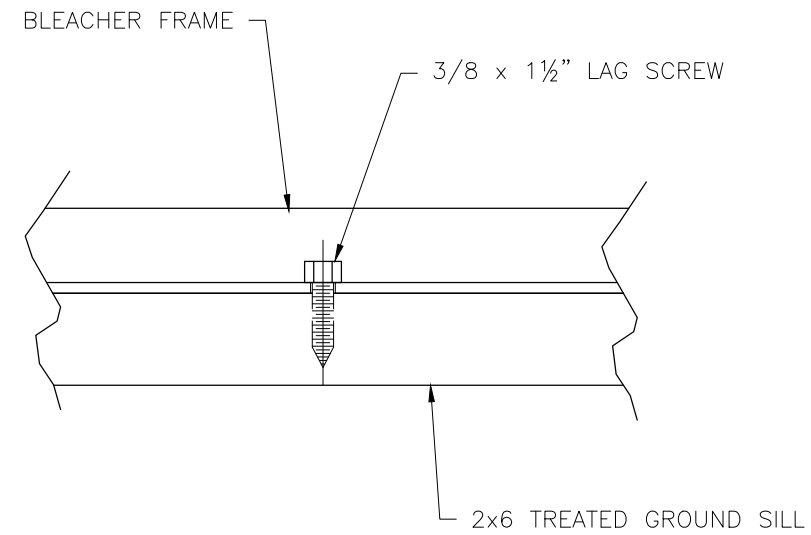
This drawing and all information contained herein is the property of PARK WAREHOUSE, LLC. and is not to be reproduced without express written permission of this manufacturer. We assume no responsibility for unauthorized use of this drawing. PARK WAREHOUSE, LLC. is not responsible for local permits and occupancy requirements.

Park Warehouse, LLC

7495 W. Atlantic Ave. Suite 200-294, Delray Beach, FL 33446

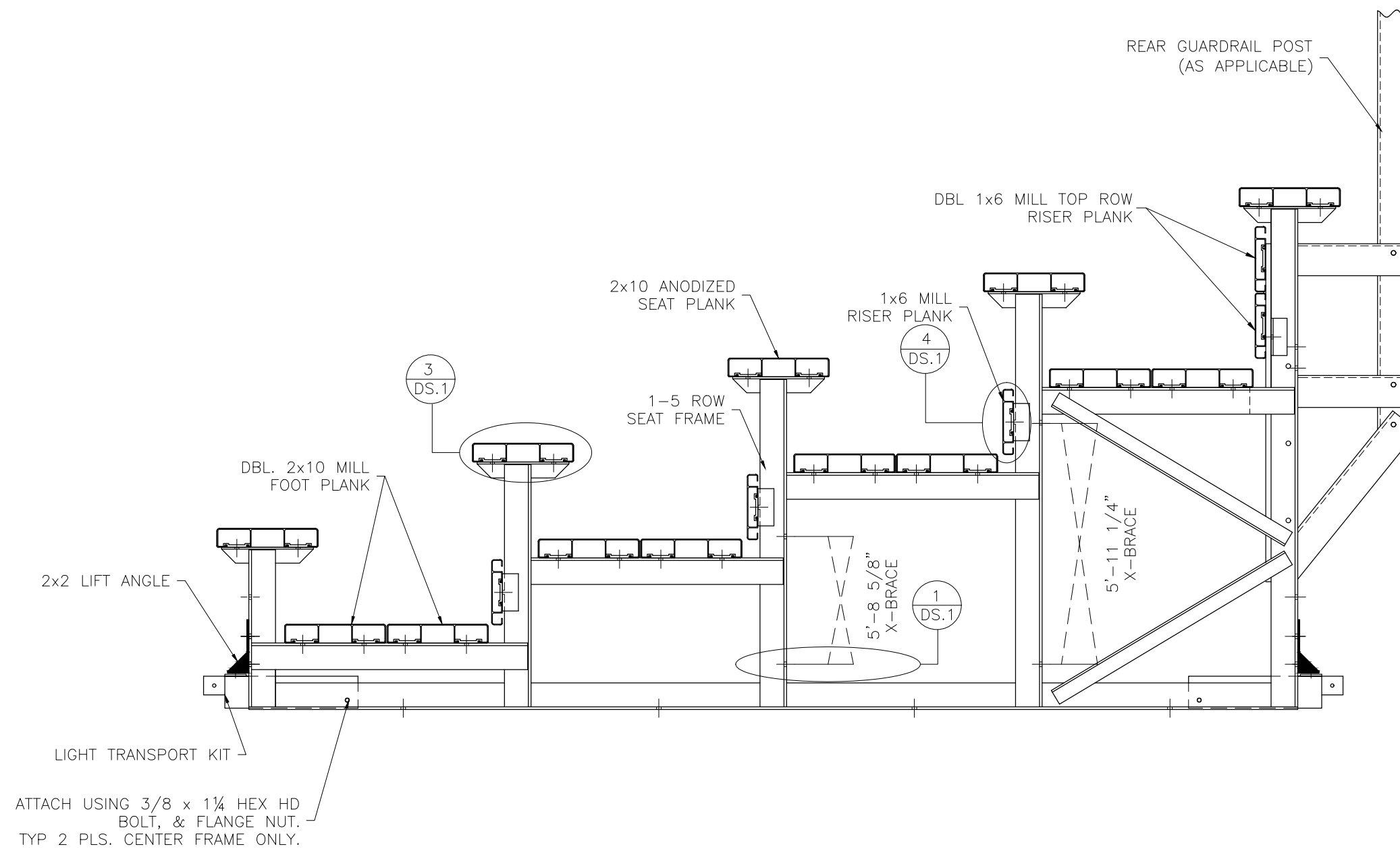
SCALE: N.T.S.	APPROVED BY:	DRAWN BY: JML
DATE: 03/19/15		
TITLE: NON ELEVATED 5 ROW x 24'-0" BLEACHER SEATING PLAN		
BLEACHER MODEL #: 335b1630-2-DLX / 335b1630-4-DLX	DRAWING NUMBER: TD.1	

DETAIL 'A' - GROUND SILL ATTACHMENT



This drawing and all information contained herein is the property of PARK WAREHOUSE, LLC. and is not to be reproduced without express written permission of this manufacturer. We assume no responsibility for unauthorized use of this drawing. PARK WAREHOUSE, LLC. is not responsible for local permits and occupancy requirements.

Park Warehouse, LLC		
7495 W. Atlantic Ave. Suite 200-294, Delray Beach, FL 33446		
SCALE: N.T.S.	APPROVED BY:	DRAWN BY: JML
DATE: 03/19/15		
TITLE: NON ELEVATED 5 ROW x 24'-0" GROUND SILL PLAN		
BLEACHER MODEL #: 335bl630-2-DLX / 335bl630-4-DLX	DRAWING NUMBER: AP.1	

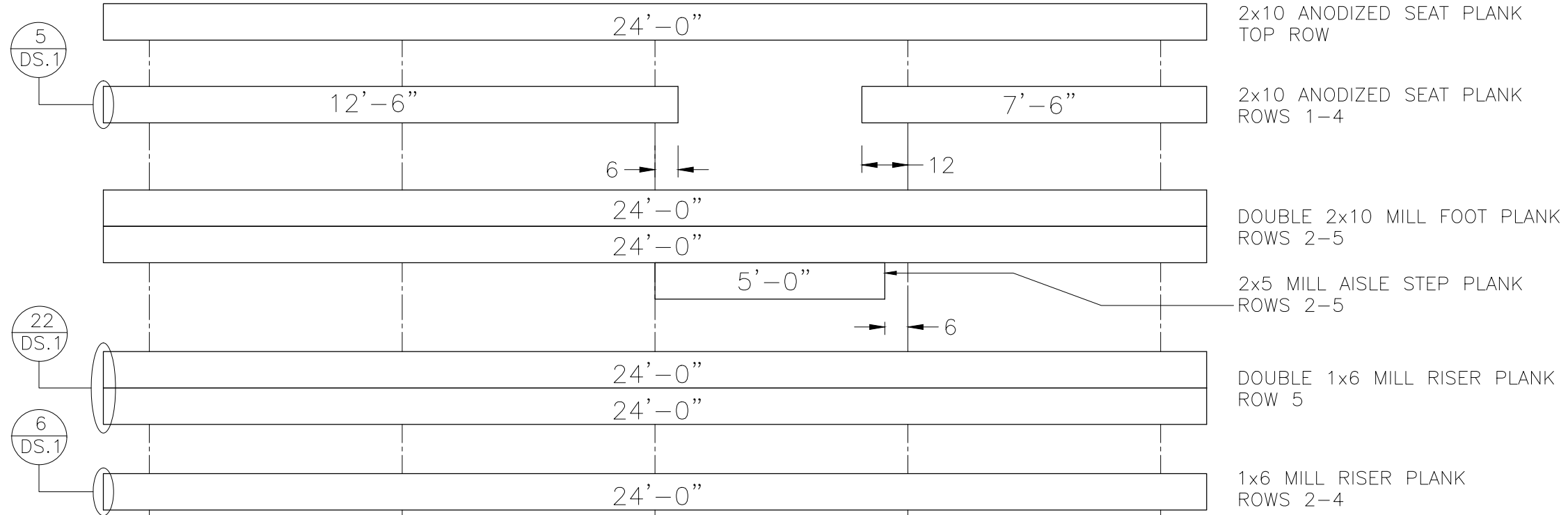


ATTACH USING 3/8 x 1 1/4 HEX HD BOLT, & FLANGE NUT. TYP 2 PLS. CENTER FRAME ONLY.

This drawing and all information contained herein is the property of PARK WAREHOUSE, LLC. and is not to be reproduced without express written permission of this manufacturer. We assume no responsibility for unauthorized use of this drawing. PARK WAREHOUSE, LLC. is not responsible for local permits and occupancy requirements.

Park Warehouse, LLC		
7495 W. Atlantic Ave. Suite 200-294, Delray Beach, FL 33446		
SCALE: N.T.S.	APPROVED BY:	DRAWN BY: JML
DATE: 03/19/15		
TITLE: NON ELEVATED 5 ROW x 24'-0" BLEACHER ASSEMBLY		
BLEACHER MODEL #: 335bl630-2-DLX / 335bl630-4-DLX		DRAWING NUMBER: BA.1

PLANK PLAN



2x10 ANODIZED SEAT PLANK
TOP ROW

2x10 ANODIZED SEAT PLANK
ROWS 1-4

DOUBLE 2x10 MILL FOOT PLANK
ROWS 2-5

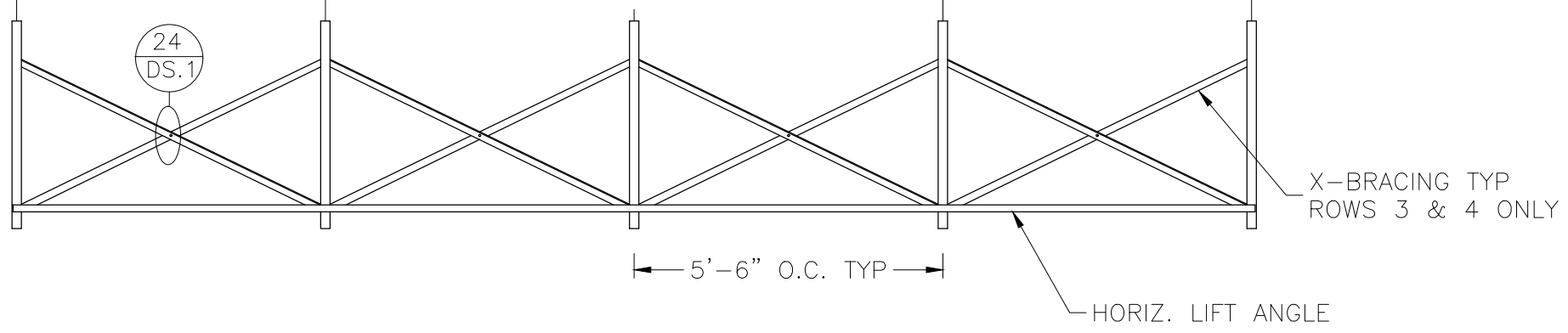
2x5 MILL AISLE STEP PLANK
ROWS 2-5

DOUBLE 1x6 MILL RISER PLANK
ROW 5

1x6 MILL RISER PLANK
ROWS 2-4

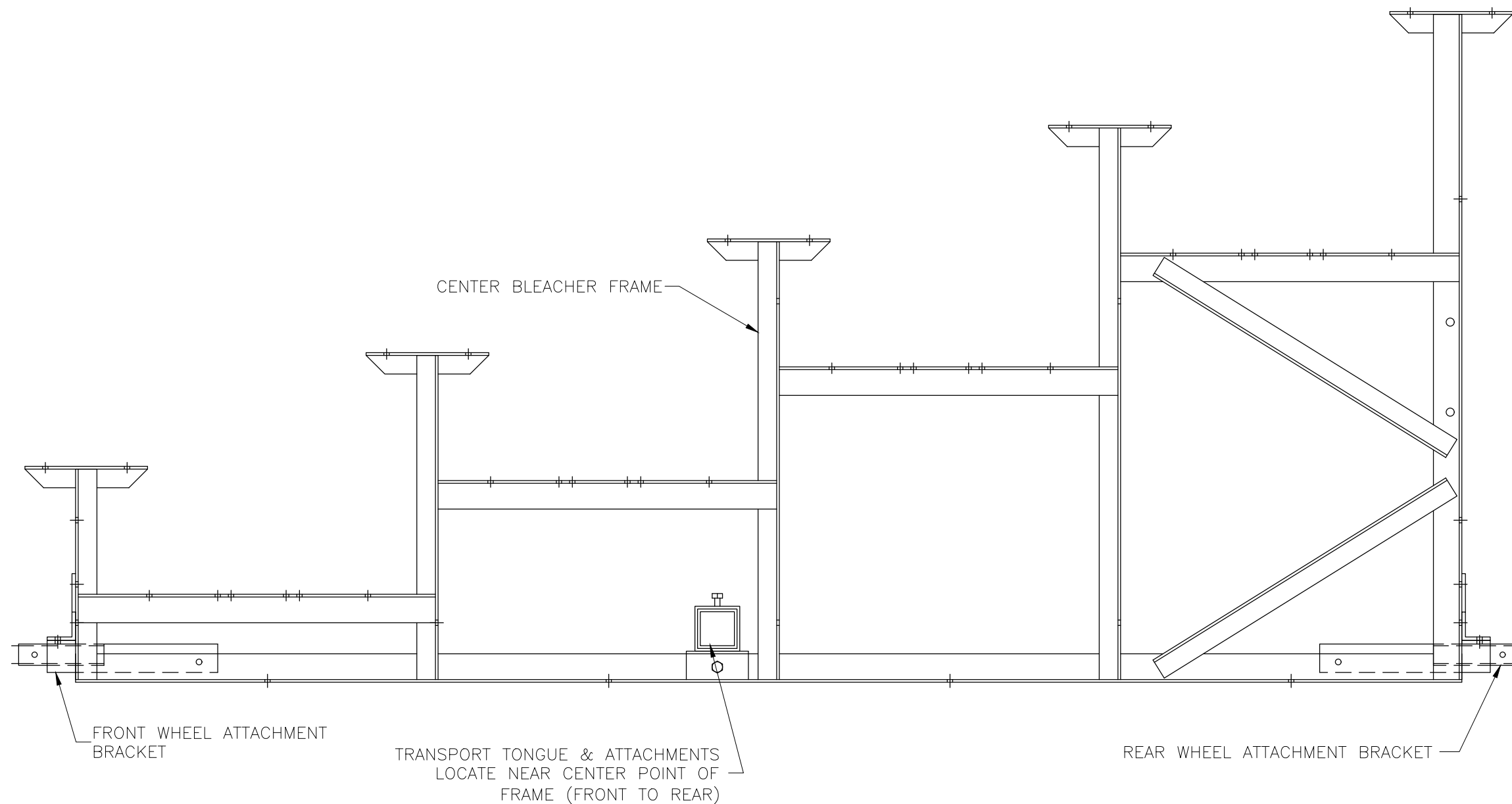


FRAMING PLAN



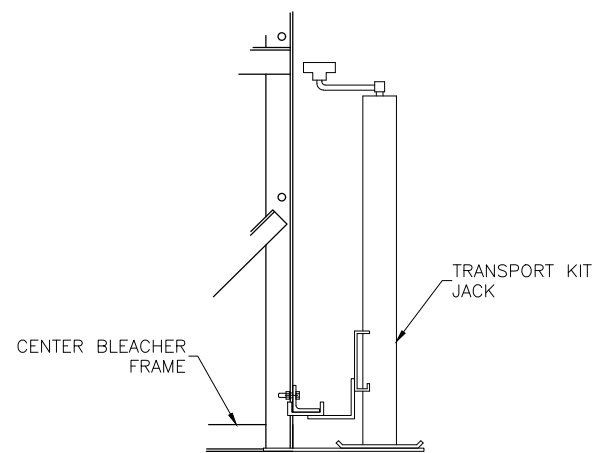
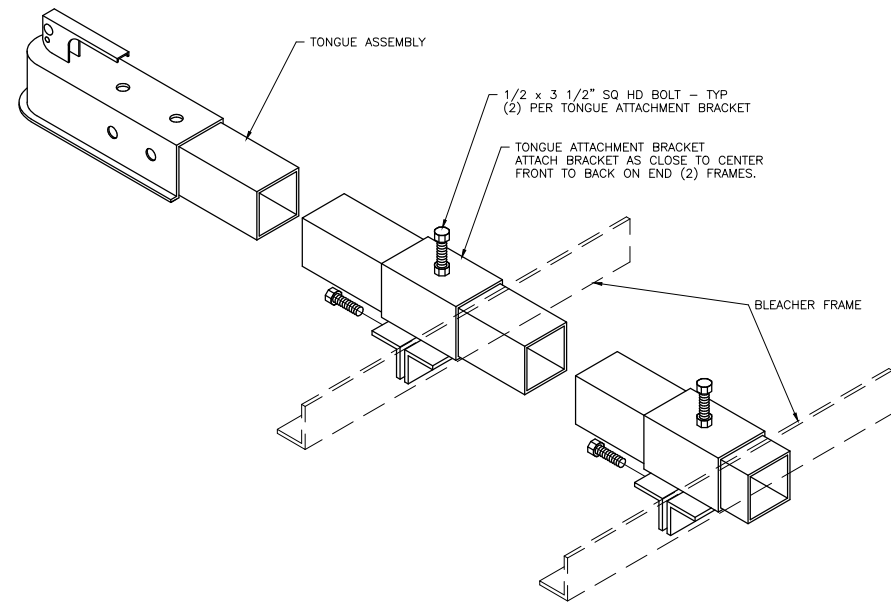
This drawing and all information contained herein is the property of PARK WAREHOUSE, LLC. and is not to be reproduced without express written permission of this manufacturer. We assume no responsibility for unauthorized use of this drawing. PARK WAREHOUSE, LLC. is not responsible for local permits and occupancy requirements.

Park Warehouse, LLC		
7495 W. Atlantic Ave. Suite 200-294, Delray Beach, FL 33446		
SCALE: N.T.S.	APPROVED BY:	DRAWN BY: JML
DATE: 03/19/15		
TITLE: NON ELEVATED 5 ROW x 24'-0" PLANK & FRAMING PLAN		
BLEACHER MODEL #: 335bl630-2-DLX / 335bl630-4-DLX	DRAWING NUMBER: PF.1	

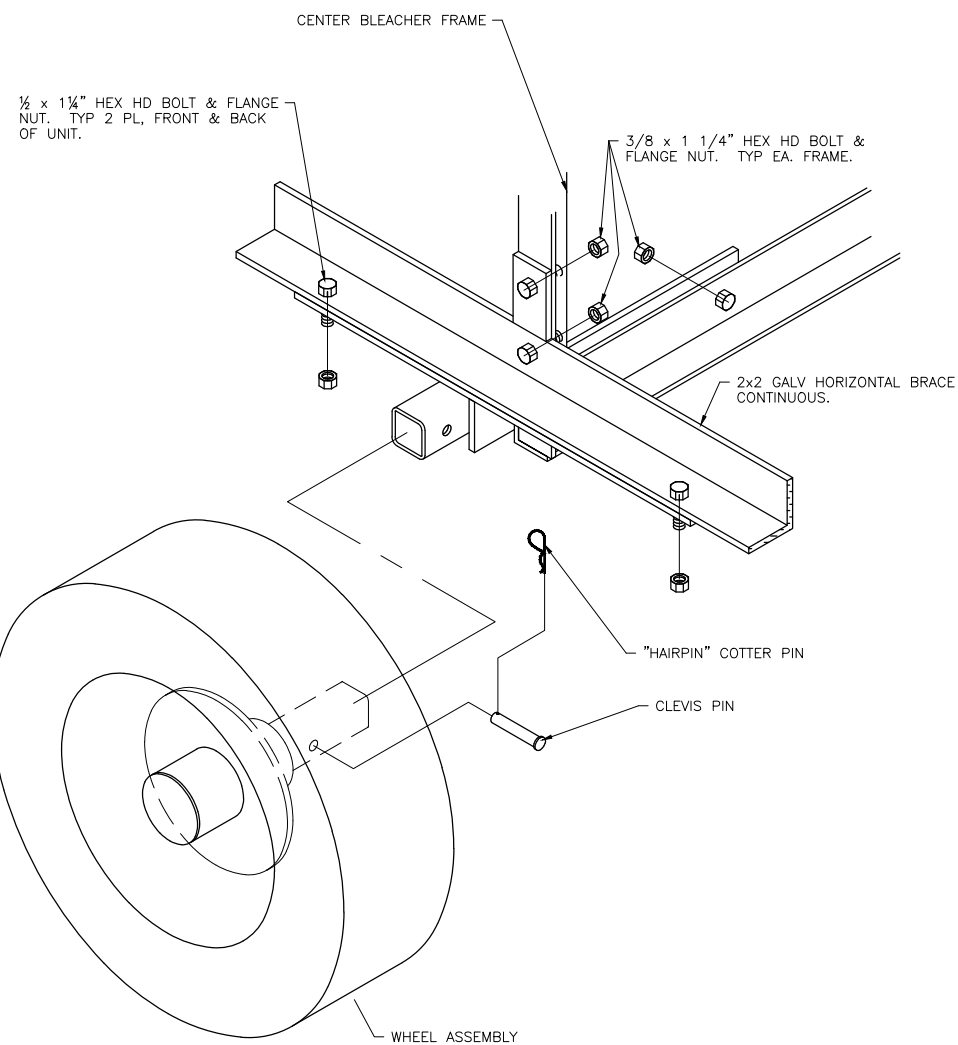
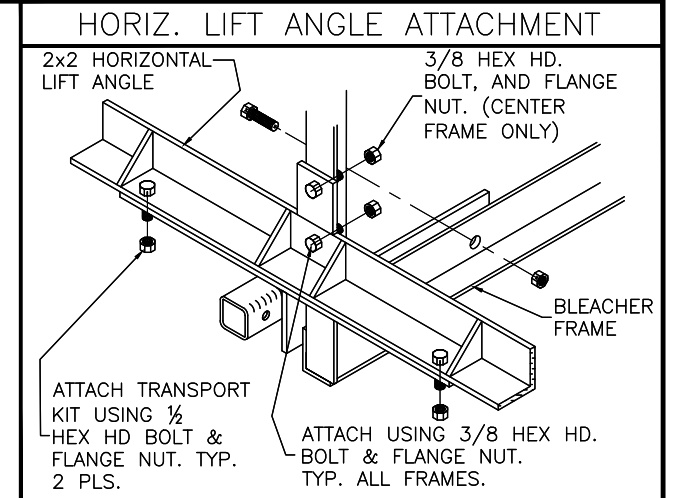


This drawing and all information contained herein is the property of PARK WAREHOUSE, LLC. and is not to be reproduced without express written permission of this manufacturer. We assume no responsibility for unauthorized use of this drawing. PARK WAREHOUSE, LLC. is not responsible for local permits and occupancy requirements.

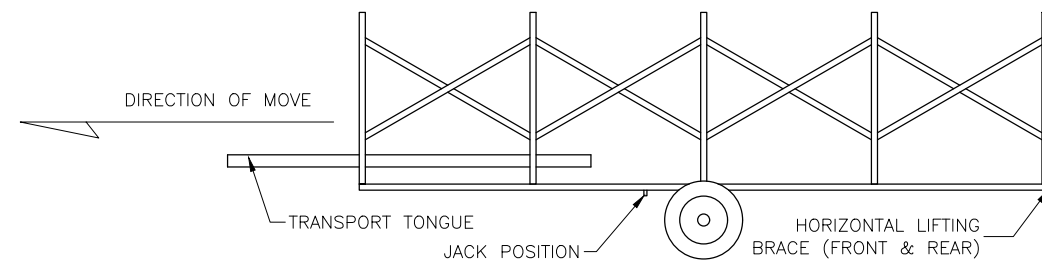
Park Warehouse, LLC		
7495 W. Atlantic Ave. Suite 200-294, Delray Beach, FL 33446		
SCALE: N.T.S.	APPROVED BY:	DRAWN BY: JML
DATE: 03/19/15		
TITLE: NON ELEVATED 5 ROW x 24'-0" TRANSP. KIT ASSEMBLY		
BLEACHER MODEL #: 335bl630-2-DLX / 335bl630-4-DLX	DRAWING NUMBER: TA.1	



PLACE JACK ON UNDER SIDE OF HORIZONTAL BRACE APPROX. 14"-18" AWAY FROM CENTER FRAME, AS SHOWN. BLEACHER SHOULD ALWAYS BE ON SOLID, LEVEL GROUND, AND BE STABILIZED TO PREVENT MOVEMENT WHEN USING JACK.



WHEEL LOCATION



(FIGURE #2)



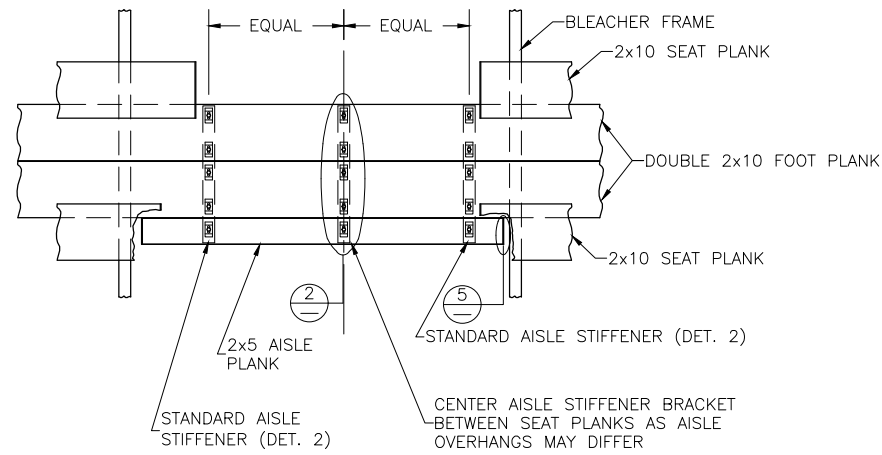
This drawing and all information contained herein is the property of PARK WAREHOUSE, LLC. and is not to be reproduced without express written permission of this manufacturer. We assume no responsibility for unauthorized use of this drawing. PARK WAREHOUSE, LLC. is not responsible for local permits and occupancy requirements.

Park Warehouse, LLC

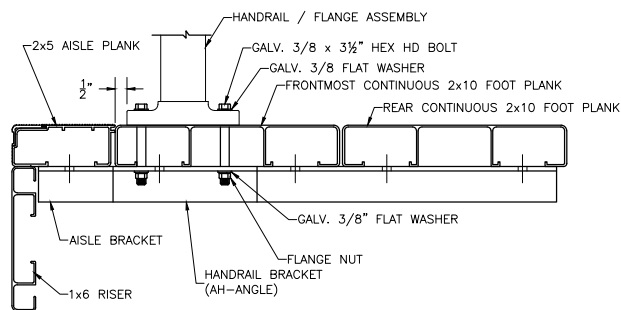
7495 W. Atlantic Ave. Suite 200-294, Delray Beach, FL 33446

SCALE: N.T.S.	APPROVED BY:	DRAWN BY: JML
DATE: 03/19/15		
TITLE: NON ELEVATED 5 ROW x 24'-0" TRANSP. KIT ASSEMBLY		
BLEACHER MODEL #: 335bl630-2-DLX / 335bl630-4-DLX	DRAWING NUMBER: TA.2	

1 AISLE PLAN TYP. ALL ROWS

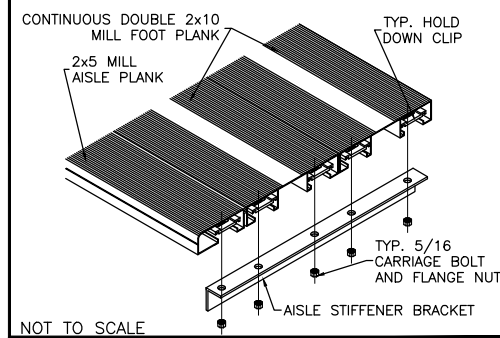


DETAIL "A"

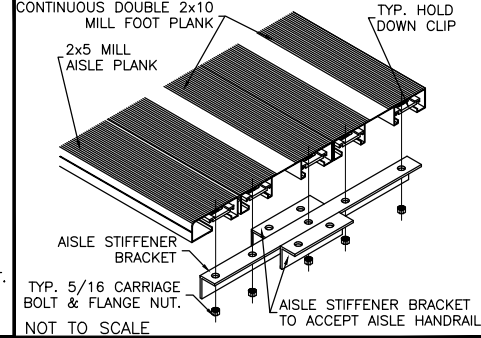


ALIGN EDGE OF FLANGE APPROX. 1/2" FROM THE LEADING EDGE OF THE FRONT MOST CONTINUOUS 2x10 FOOT PLANK (NOT THE 2x5 AISLE STEP PLANK). SLIGHTLY ADJUST FLANGE LOCATION, IF NECESSARY, SO THAT THE BOLT HOLE IS NOT DRILLED INTO A VERTICAL LEG OF THE PLANK. DRILL $\varnothing 7/16$ " HOLES (FOR 3/8" BOLT). ASSEMBLE AS SHOWN USING GALV. STEEL BOLTS, FLAT WASHERS & FLANGE NUTS.

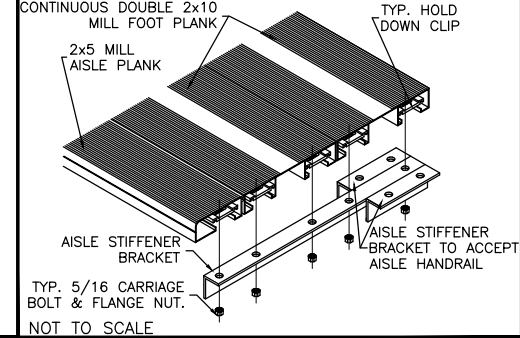
2 TYP. AISLE BKT DETAIL



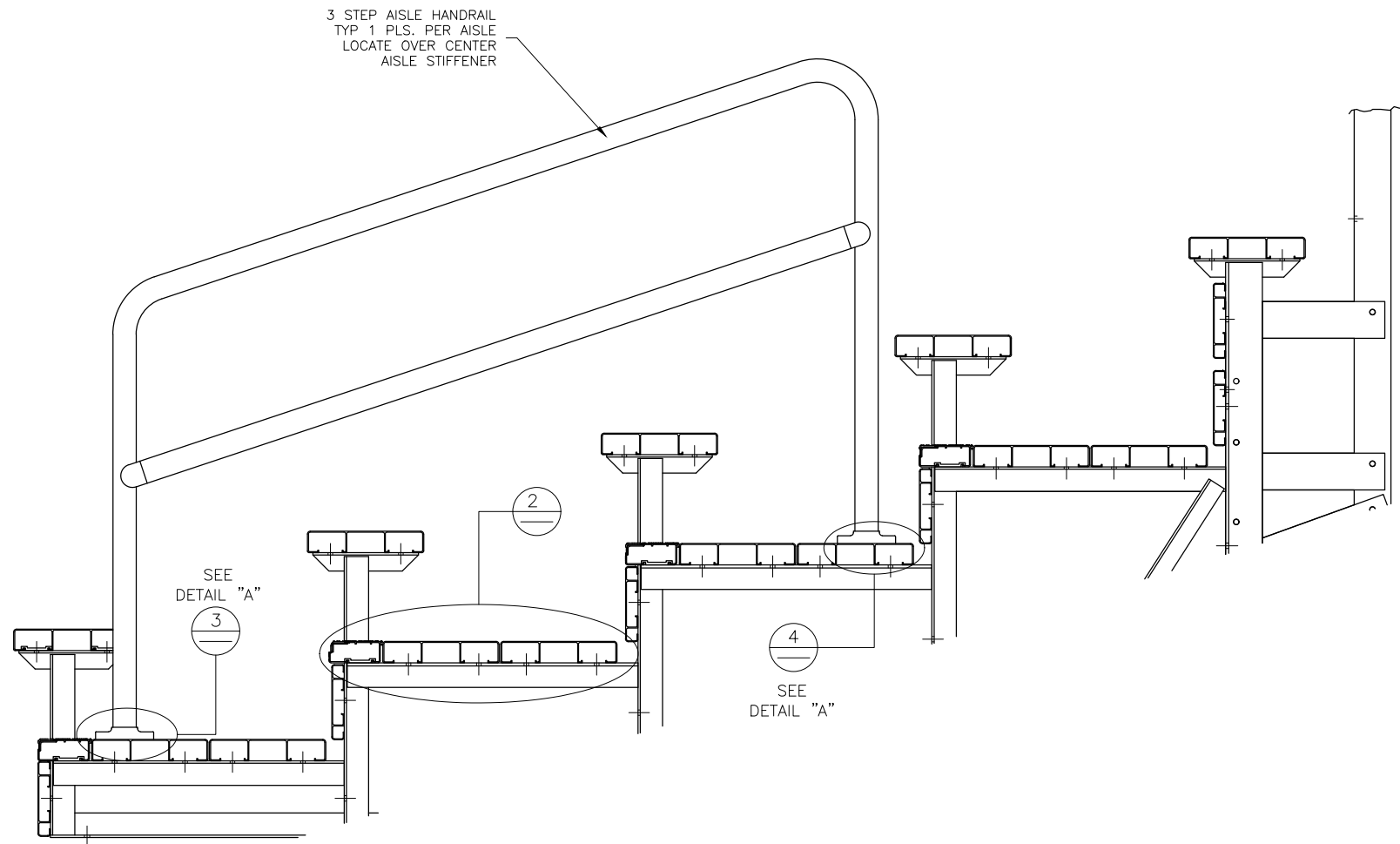
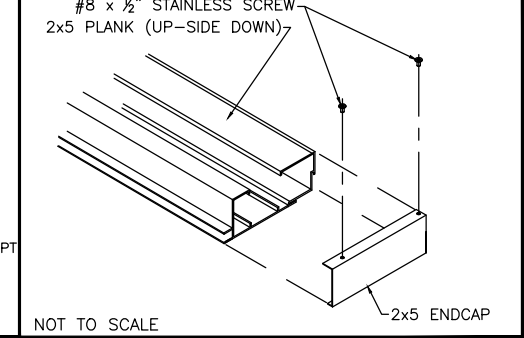
3 FRONT AISLE H.R. BRACKET DETAIL



4 REAR AISLE H.R. BRACKET DETAIL



5 TYP 2x5 ENDCAP ATTACHMENT



This drawing and all information contained herein is the property of PARK WAREHOUSE, LLC. and is not to be reproduced without express written permission of this manufacturer. We assume no responsibility for unauthorized use of this drawing. PARK WAREHOUSE, LLC. is not responsible for local permits and occupancy requirements.

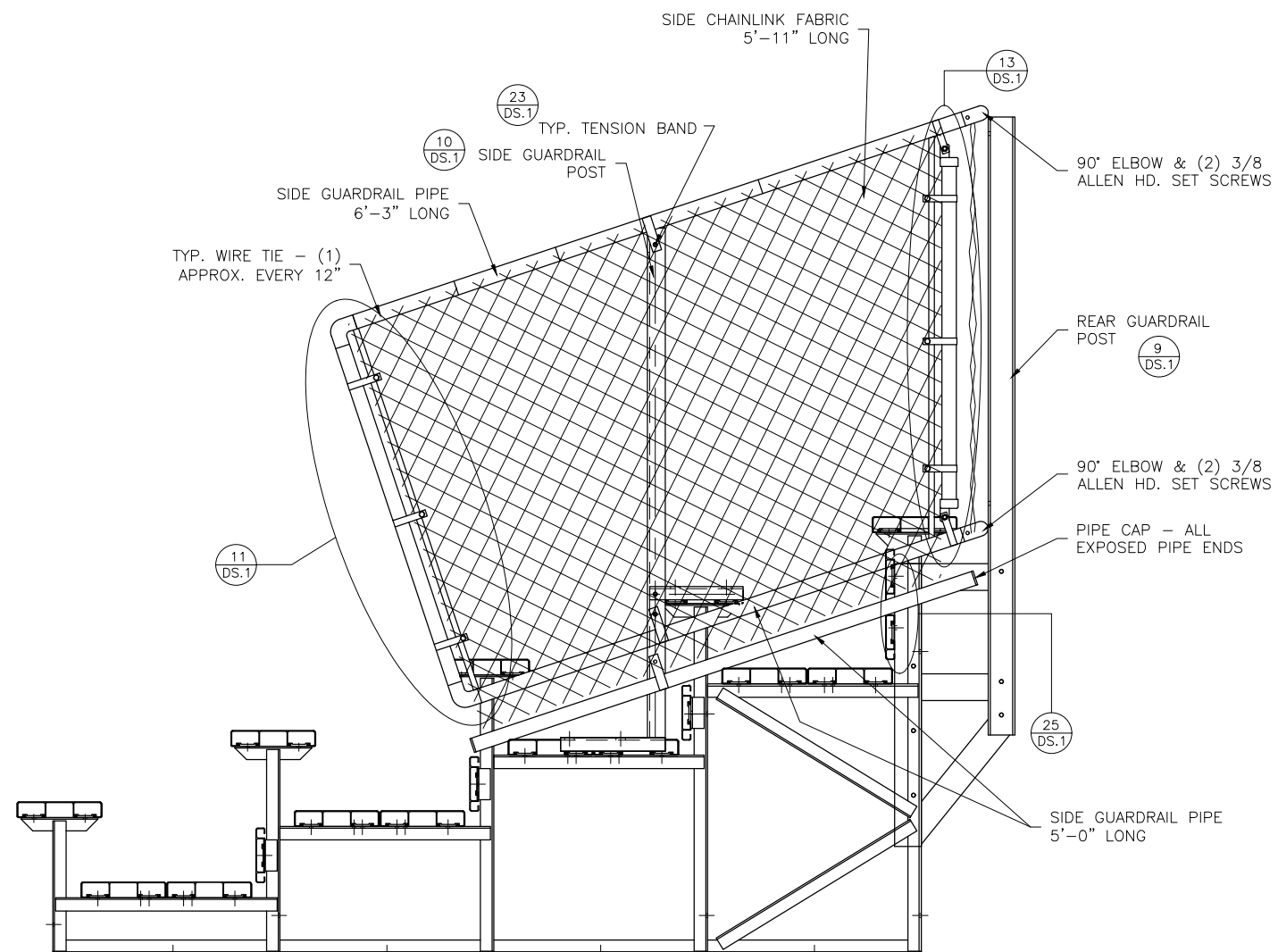
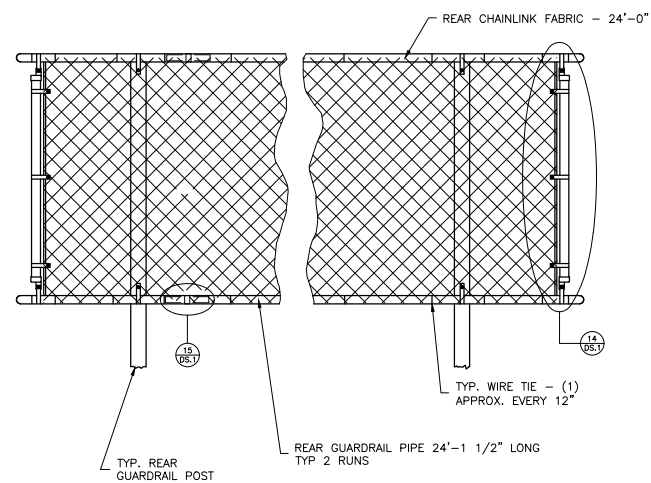
Park Warehouse, LLC

7495 W. Atlantic Ave. Suite 200-294, Delray Beach, FL 33446

SCALE: N.T.S.	APPROVED BY:	DRAWN BY: JML
DATE: 03/19/15		
TITLE: NON ELEVATED 5 ROW x 24'-0" GUARD RAIL ASSEMBLY		
BLEACHER MODEL #: 335bl630-2-DLX / 335bl630-4-DLX	DRAWING NUMBER: VA.1	

REAR GUARDRAIL

(FRONT VIEW)



This drawing and all information contained herein is the property of PARK WAREHOUSE, LLC. and is not to be reproduced without express written permission of this manufacturer. We assume no responsibility for unauthorized use of this drawing. PARK WAREHOUSE, LLC. is not responsible for local permits and occupancy requirements.

Park Warehouse, LLC

7495 W. Atlantic Ave. Suite 200-294, Delray Beach, FL 33446

SCALE: N.T.S.	APPROVED BY:	DRAWN BY: JML
DATE: 03/19/15		
TITLE: NON ELEVATED 5 ROW x 24'-0" GUARD RAIL ASSEMBLY		
BLEACHER MODEL #: 335bl630-2-DLX / 335bl630-4-DLX	DRAWING NUMBER: GR.1	

<p>⊕ TYP X-BRACE CONN. W/ 1 1/4" BOLT</p> <p>NOT TO SCALE</p>	<p>⊕ TYP X-BRACE CONN. w/3" BOLT</p> <p>NOT TO SCALE</p>	<p>⊕ TYP 2x10 PLANK ATTACHMENT</p> <p>NOT TO SCALE</p>	<p>⊕ TYP 1x6 PLANK ATTACHMENT</p> <p>NOT TO SCALE</p>	<p>⊕ TYP 2x10 ENDCAP ATTACHMENT</p> <p>NOT TO SCALE</p>	<p>⊕ TYP 1x6 ENDCAP ATTACHMENT</p> <p>NOT TO SCALE</p>												
<p>⊕ TYP 2x10 SPLICE CONN.</p> <p>NOT TO SCALE</p>	<p>⊕ TYP 1x6 SPLICE CONN.</p> <p>NOT TO SCALE</p>	<p>⊕ REAR GUARDRAIL POST ATTACH.</p>	<p>⊕ SIDE GD. RAIL POST INSTALLATION</p>	<p>⊕ VERT. PIPE DETAIL (NE-SIDE,BOTT.)</p> <p>NOT TO SCALE</p>	<p>⊕ VERT. PIPE DET.-ELEV, SIDE, BOT.</p> <p>NOT TO SCALE</p>												
<p>⊕ VERT. PIPE DETAIL (SIDE, TOP)</p> <p>NOT TO SCALE</p>	<p>⊕ VERT. PIPE DETAIL-REAR, TOP</p> <p>NOT TO SCALE</p>	<p>⊕ PIPE COUPLER INSTALLATION</p> <p>NOT TO SCALE</p>	<p>⊕ VERT. PIPE DETAIL (FRNT.END)</p> <p>NOT TO SCALE</p>	<p>⊕ FINGER MOUNT DETAIL</p> <p>NOT TO SCALE</p>	<p>⊕ RB-210/BOLT DETAIL</p> <p>NOT TO SCALE</p>												
<p>⊕ VERTICAL PIPE DETAIL (REAR)</p> <p>NOT TO SCALE</p>	<p>⊕ VERT. PIPE DETAIL (FRNT.END)</p> <p>NOT TO SCALE</p>	<p>⊕ VERT. PIPE DET.- SIDE TOP</p> <p>NOT TO SCALE</p>	<p>⊕ DBL. 2x10 ENDCAP ATTACHMENT</p> <p>NOT TO SCALE</p>	<p>⊕ TENSION BAND ATTACHMENT</p> <p>NOT TO SCALE</p>	<p>⊕ TYP X-BRACE CONN. W/ 1 1/4 BOLT</p> <p>NOT TO SCALE</p>												
<p>⊕ LOWER PIPE BRACKET ATTACH.</p> <p>NOT TO SCALE</p>	<div style="display: flex; justify-content: space-between; align-items: center;"> <div data-bbox="1392 1669 1650 1830"> </div> <div data-bbox="1672 1679 2132 1882"> <p>This drawing and all information contained herein is the property of PARK WAREHOUSE, LLC. and is not to be reproduced without express written permission of this manufacturer. We assume no responsibility for unauthorized use of this drawing. PARK WAREHOUSE, LLC. is not responsible for local permits and occupancy requirements.</p> </div> <div data-bbox="2138 1679 2993 1909"> <div style="border: 1px solid black; padding: 5px;"> <p>Park Warehouse, LLC 7495 W. Atlantic Ave. Suite 200-294, Delray Beach, FL 33446</p> <table border="1" style="width: 100%; border-collapse: collapse;"> <tr> <td style="width: 33%;">SCALE: N.T.S.</td> <td style="width: 33%;">APPROVED BY:</td> <td style="width: 33%;">DRAWN BY: JML</td> </tr> <tr> <td>DATE: 03/15/2015</td> <td colspan="2"></td> </tr> <tr> <td colspan="3">TITLE: DETAIL SHEETS</td> </tr> <tr> <td>BLEACHER MODEL #: 335bl630-2-DLX / 335bl630-4-DLX</td> <td colspan="2">DRAWING NUMBER: DS.1</td> </tr> </table> </div> </div> </div>					SCALE: N.T.S.	APPROVED BY:	DRAWN BY: JML	DATE: 03/15/2015			TITLE: DETAIL SHEETS			BLEACHER MODEL #: 335bl630-2-DLX / 335bl630-4-DLX	DRAWING NUMBER: DS.1	
SCALE: N.T.S.	APPROVED BY:	DRAWN BY: JML															
DATE: 03/15/2015																	
TITLE: DETAIL SHEETS																	
BLEACHER MODEL #: 335bl630-2-DLX / 335bl630-4-DLX	DRAWING NUMBER: DS.1																