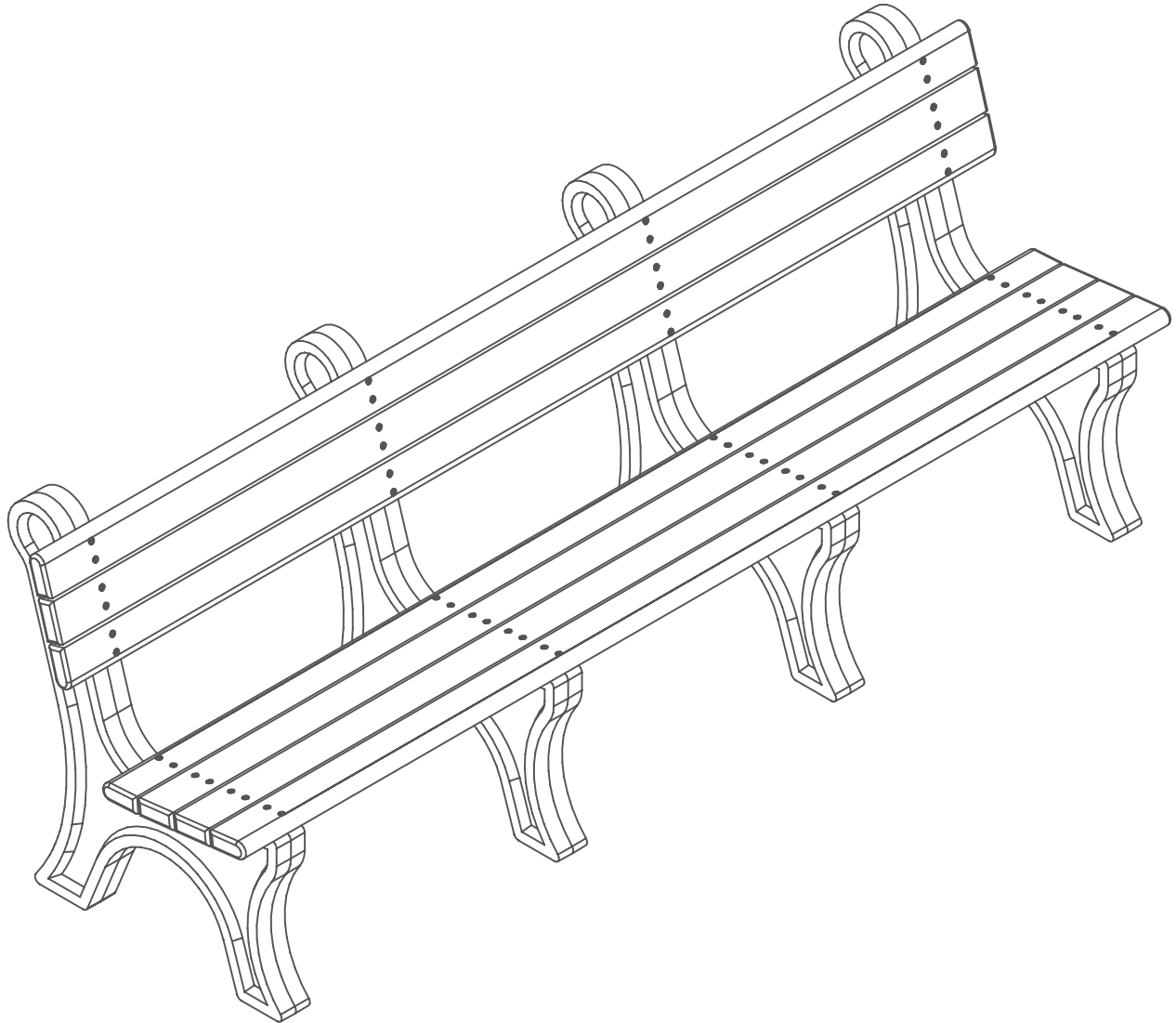




Park Classic Bench - With Back - 8FT

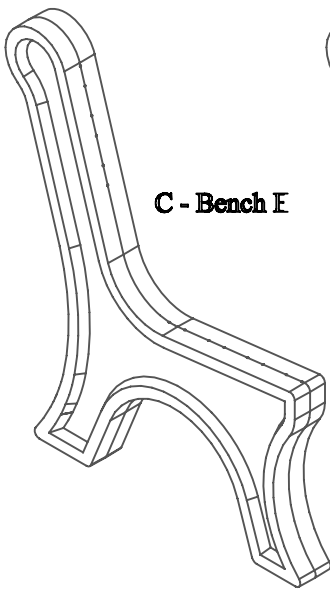


assembly, please make sure all components are included.

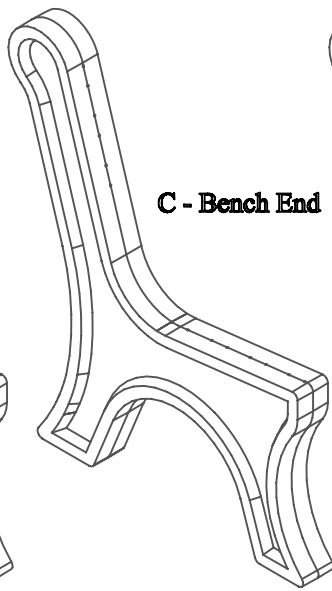


(1) - One Fastener Pack
FP-PC8B-CU-01

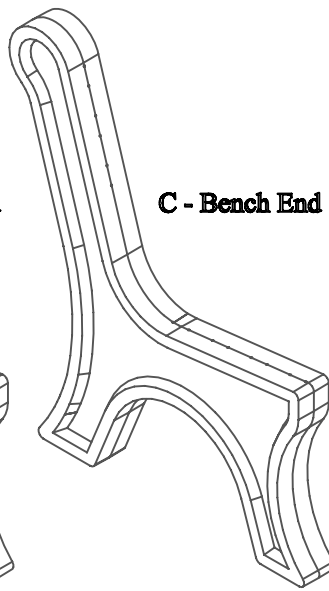
FP - Fastener Pack



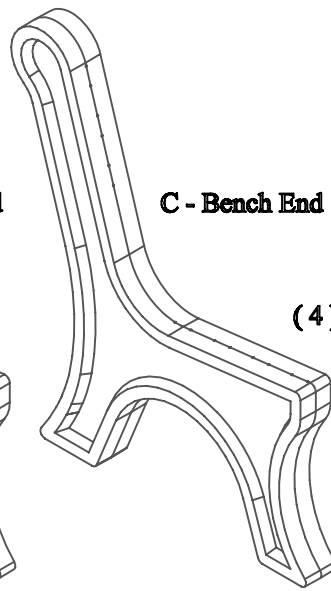
C - Bench E



C - Bench End



C - Bench End



C - Bench End

(4) - Four Bench Ends
PS-BTBE-A-01

•	B - Bull Nose Bench Board	•	•
•	B - Bull Nose Bench Board	•	•
•	B - Bull Nose Bench Board	•	•
•	B - Bull Nose Bench Board	•	•

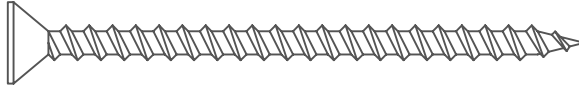
(4) - Four Bull Nose Bench Boards
BP-PC8B-A-01

•	A - Bench Board	•	•
•	A - Bench Board	•	•
•	A - Bench Board	•	•

(3) - Three Bench Boards
BP-DB8B-A-02

c assembly, please make sure all fasteners are included.

56 - #12 x 3" Flat Head Phillips Screw



Also needed for this assembly will be the following materials:

1 - #3 Phillips Drive Bit

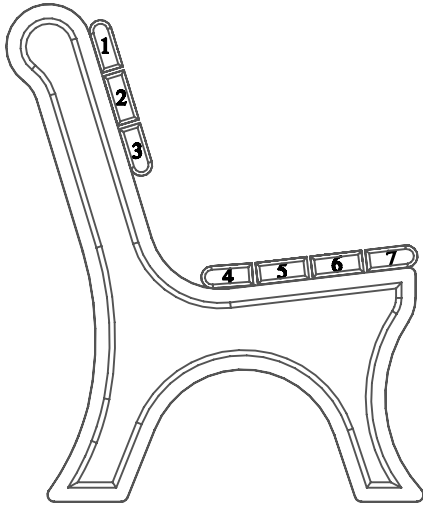
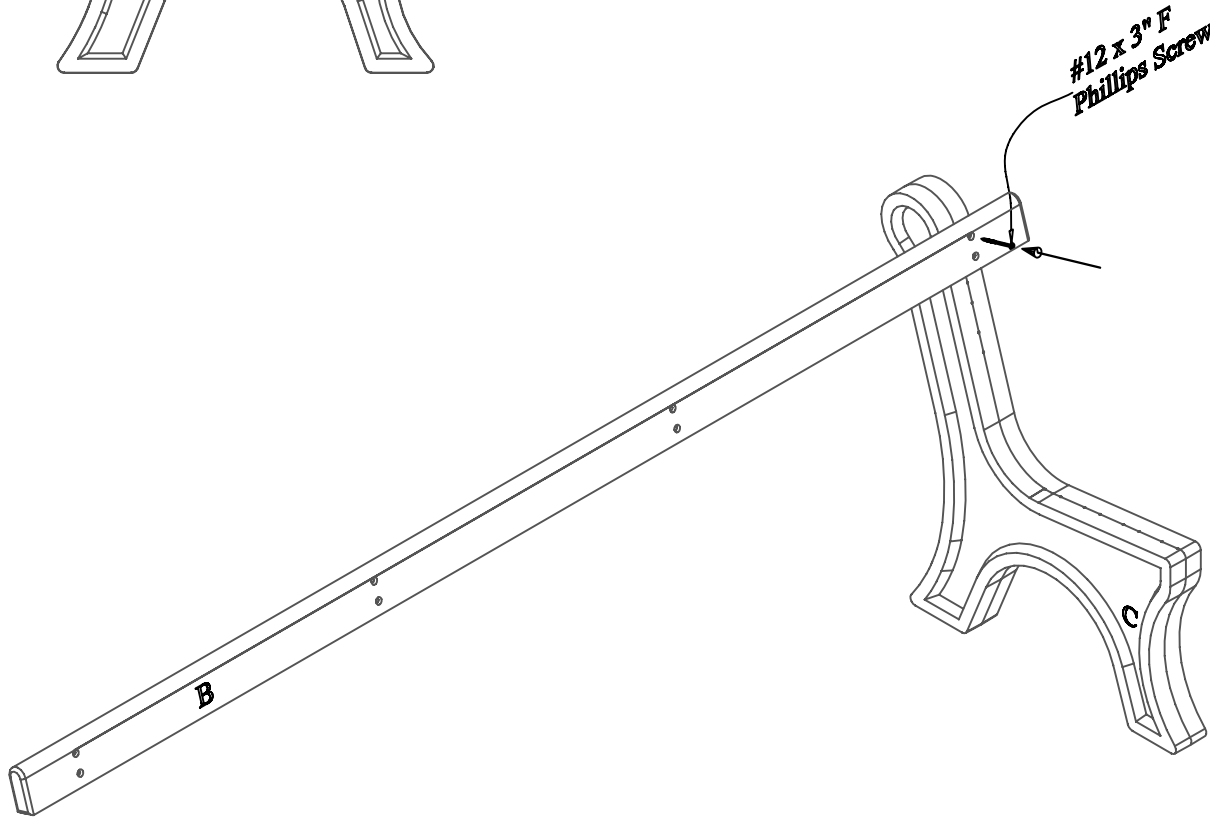


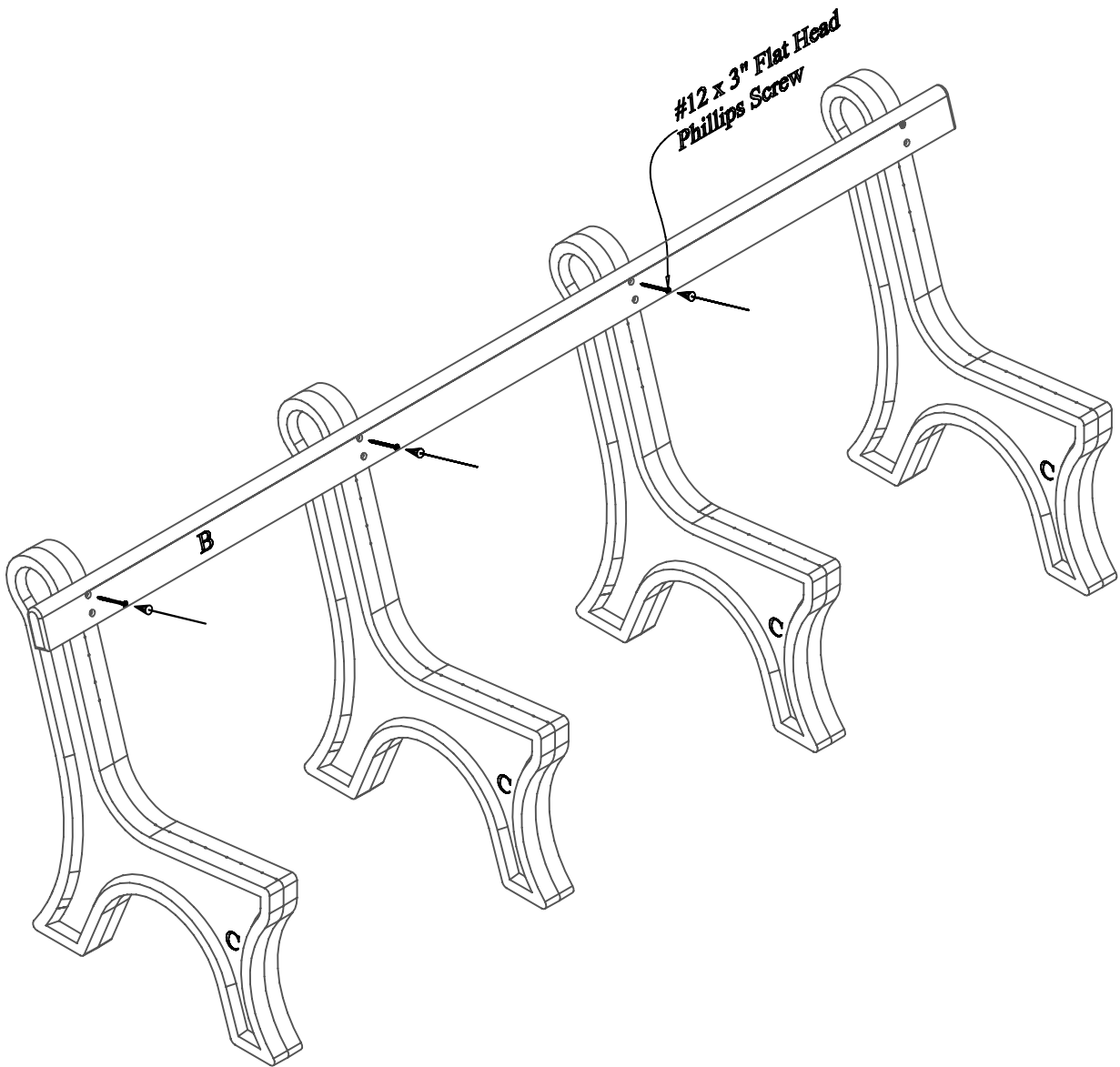
Fig #1:
In order to make the assembly of this Park Classic Bench easier while going through the assembly process the board positions are numbered and will be referenced in later steps.



Step #1:

Stand (1) One bench end upright and place (1) One Bull Nose bench board on position 1 being sure to align the pre-drilled holes to the pilot holes in the bench end. After the holes are properly aligned, fasten with (1) One #12 x 3" Flat Head Phillips Screw in the top pre-drilled hole.

Note: Do not tighten screw completely. This will be done in a later step.

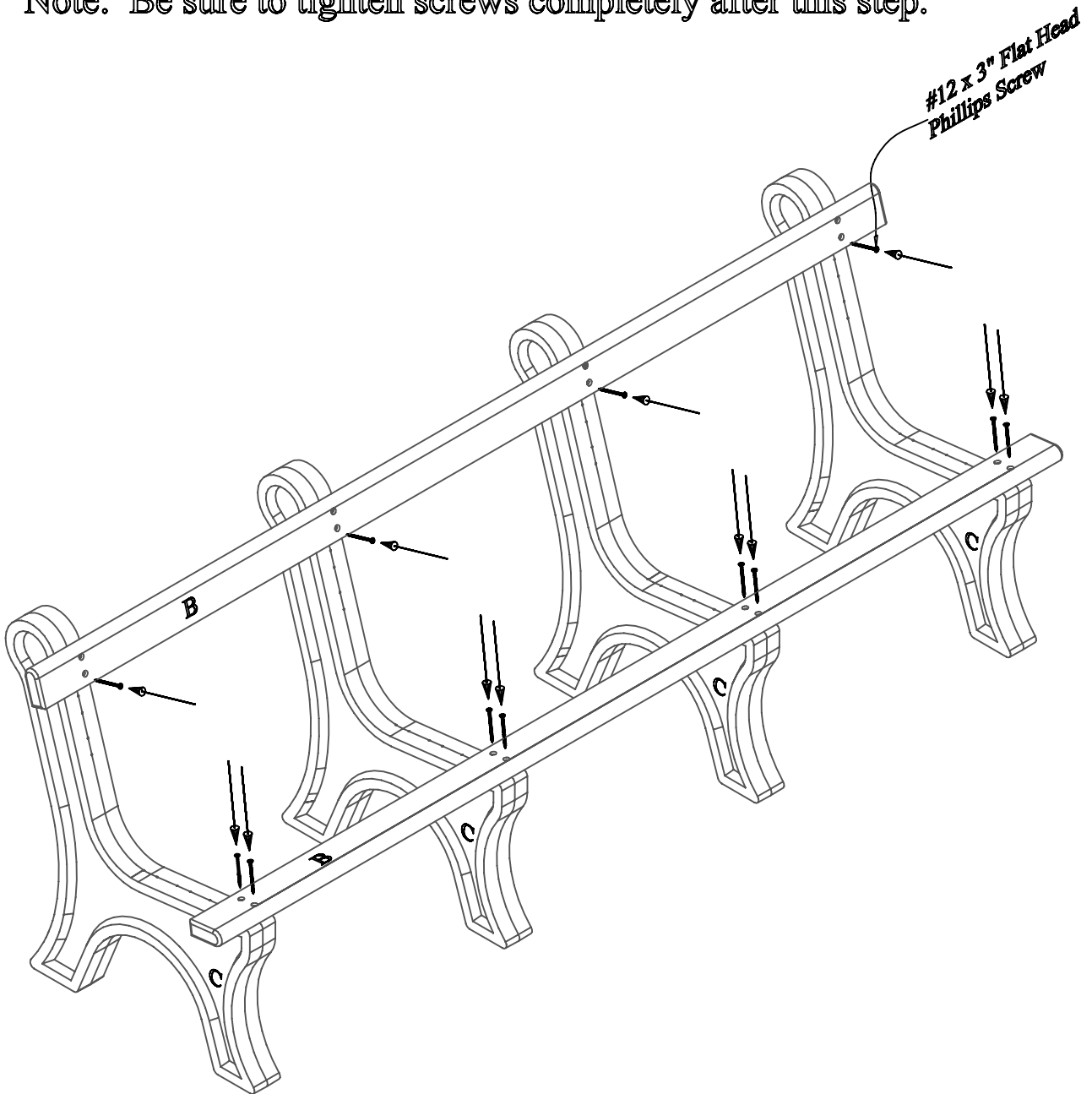


Stand the other (3) Three bench ends upright, one at a time, and place bench board already attached to the first bench end, on position 1 being sure to align the pre-drilled holes to the pilot holes in the bench end. After the holes are properly aligned, fasten with (1) One #12 x 3" Flat Head Phillips Screw in the top pre-drilled hole.

Note: Do not tighten screws completely. This will be done in a later step.

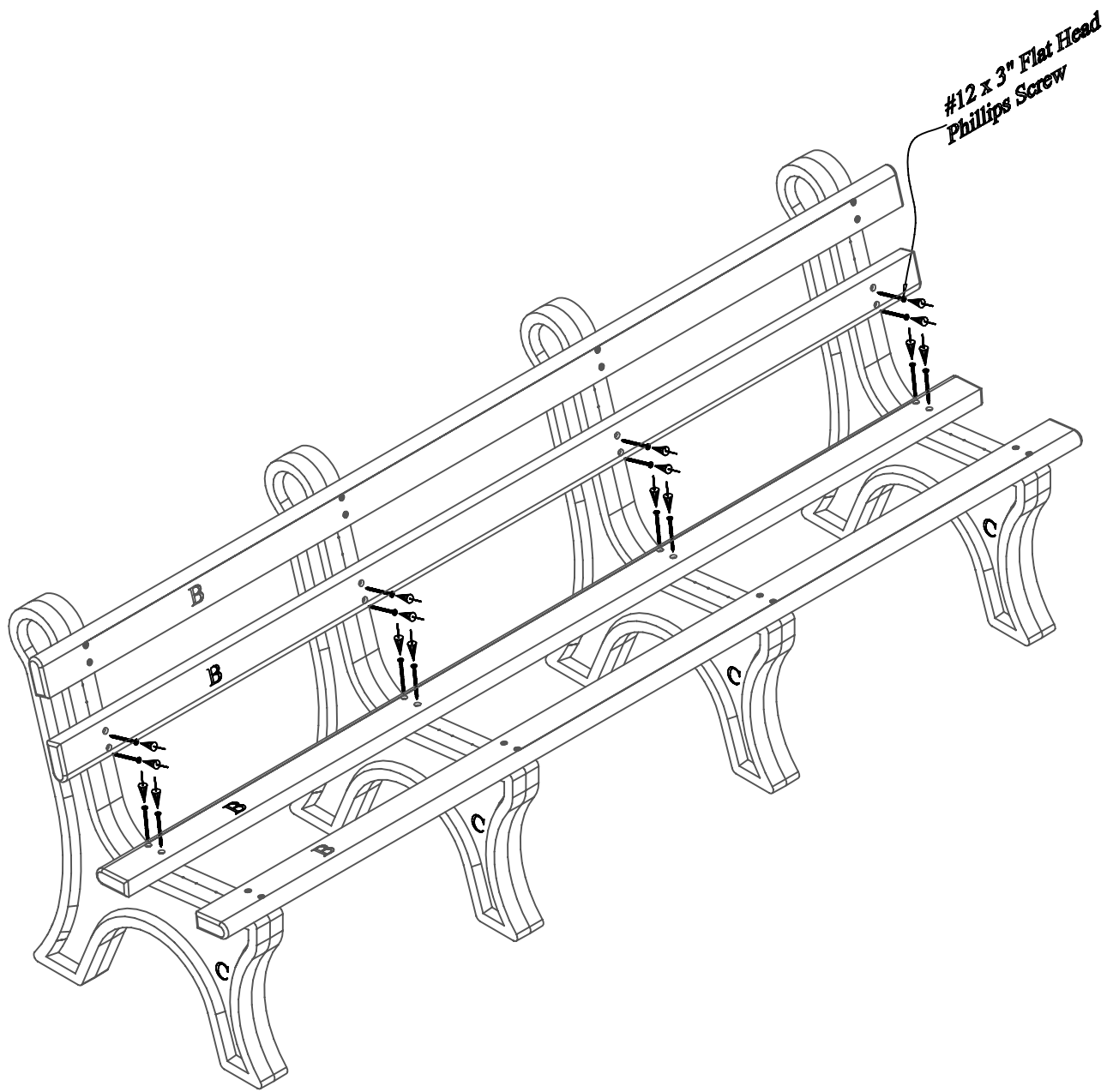
Align the bottom pre-drilled holes to the pilot holes in the bench end. A the holes are properly aligned, fasten with (1) One #12 x 3" Flat Head Phillips Screw per hole.

Note: Be sure to tighten screws completely after this step.

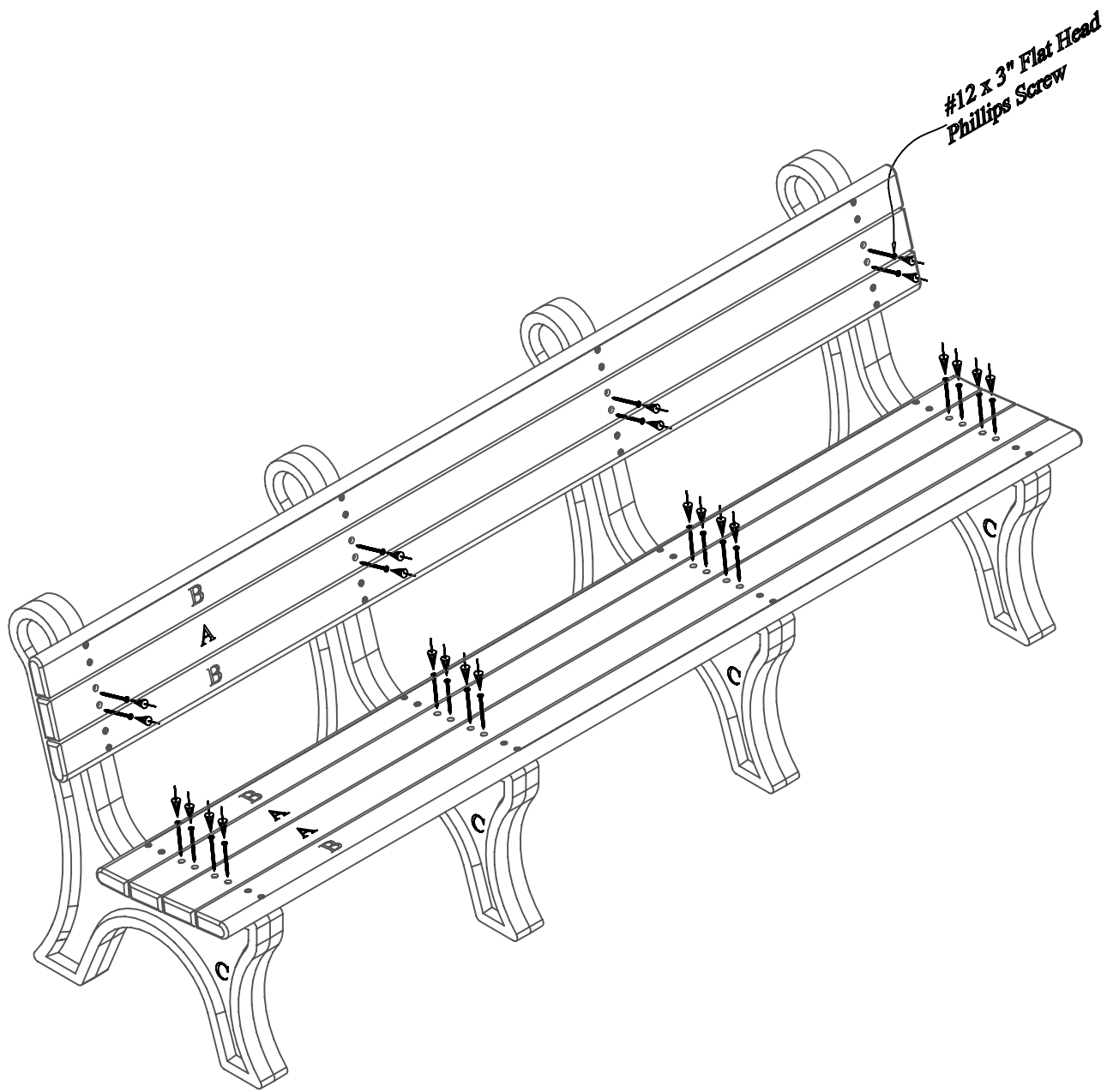


Step #4:

Place a second Bull Nose bench board on position 7. Repeat Steps 1 - 3 to attach. Use (1) One #12 x 3" Flat Head Phillips Screw per hole to fasten.



Repeat Steps 1 - 3 to attach Bull nose bench boards on positions :
Use (1) One #12 x 3" Flat Head Phillips Screw per hole to fasten.



Repeat Steps 1 - 3 to attach bench boards on positions 2, 5 & 6. Use One #12 x 3" Flat Head Phillips Screw per hole to fasten.