

Air Kit 4 - 554br115



Durable rubber hand grips

PSI tire pressure gauge

Gasket rating -30° to 110° F

Integrated wheel holder

Reinforced air hose

Aluminum pump head accepts schrader and presta valves



Air Kits require occasional maintenance and replacing of parts to remain serviceable.

FINISH OPTIONS

Galvanized

Stainless

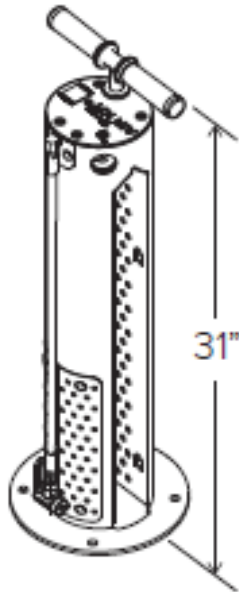


Powder Coat

White	Black	Light Gray RAL 7042	Deep Red RAL 3003	Yellow RAL 1023
CNH Bright Yellow	Orange RAL 2004	Beige RAL 1001	Iron Gray 7011	Hunter Green RAL 6005
Light Green RAL 6018	Green RAL 6016	Sepia Brown RAL 8014	Bronze	Silver 9007
Dark Purple	Flat Black	Wine Red RAL 3005		

AIR KIT 4

Submittal Sheet



Surface Mount

MATERIALS

Main Body: 6" x 1/8" tube
 Top: 1/8" aluminum
 Manual air pump: max 100psi
 Foot: 1/4" steel

FINISHES

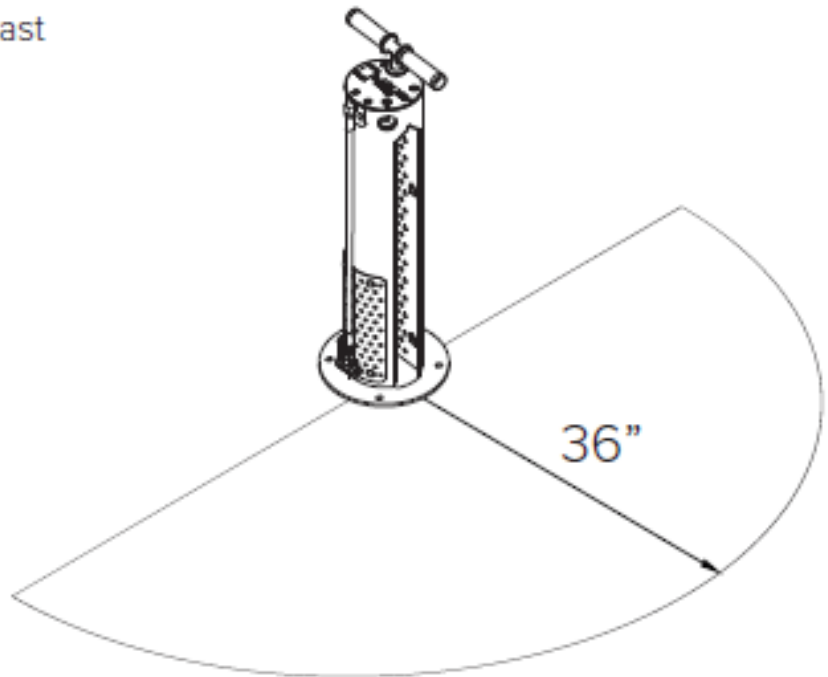
- Galvanized**
 An after fabrication hot dipped galvanized finish is our standard option.
- Powder Coat**
 Our powder coat finish assures a high level of adhesion and durability by following these steps:
 1. Sandblast
 2. Epoxy primer electrostatically applied
 3. Final thick TGIC polyester powder coat

MOUNT OPTIONS

- Surface**
 Surface Mount has 10" diameter x .25" flange with four anchoring holes for mounting with standard wedge anchors.

AIR KIT 4 Setbacks

The Air Kit 4 should be installed at least 36" away from any obstructions.



AIR KIT 4

Installation Instructions – Surface Mount

TOOLS NEEDED

Marker or Pencil
 Masonry Drill Bit 3/8"
 Drill (Hammer drill recommended)
 Hammer
 Wrench 9/16"
 Level

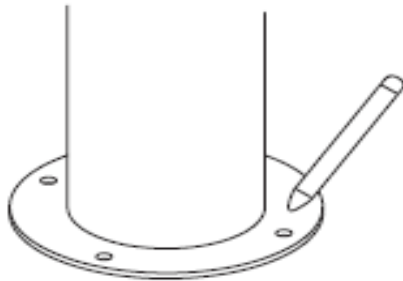
RECOMMENDED BASE MATERIAL

Solid concrete is the best base material for installation. To ensure the proper anchors are shipped with your Air Kit, ask your representative which anchor is appropriate for your application. Be sure nothing is underneath the base material that could be damaged by drilling.



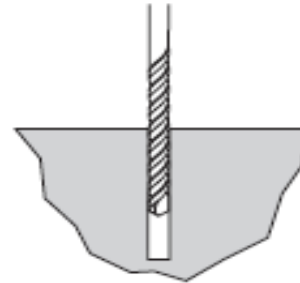
Be sure to save your tamper-resistant tools for any future maintenance. They are costly to replace.

1



Place the Air Kit 4 in the desired location. Use a marker or pencil to outline the holes of the flange onto the base material.

2



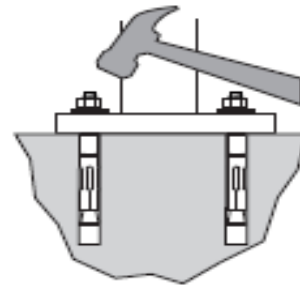
Drill 3/8" diameter holes 3" deep into surface. Make sure the holes are at least 3" away from any cracks in the base material.

3



Use washers to level pump if necessary.

4

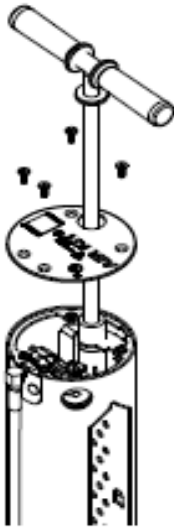


Thread nuts onto anchors, leaving approximately 1/4" of the anchor protruding, and tap into surface. **Place the 2 provided tamper-proof penta nuts on opposite sides.** Tighten nuts down to secure pump.

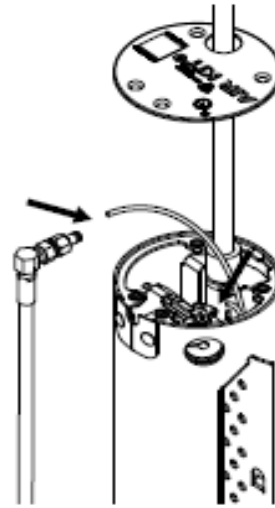
AIR KIT 4

Maintenance and Repair Instructions

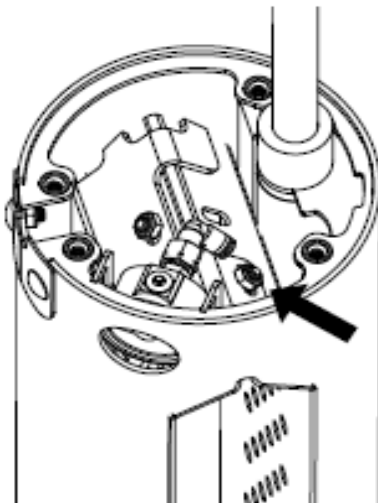
- 1** Remove the 4 tamper-proof screws at the top of the pump and lift the cap.



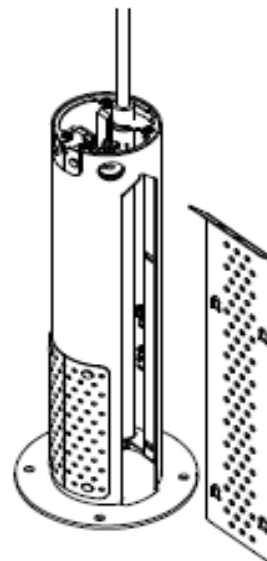
- 2** Disconnect the air line via the push-to-connect fitting at the top of the hose and at the pressure gauge.



- 3** Remove the nut and carriage bolt at the top of the perforated center plate adjacent to the pump.



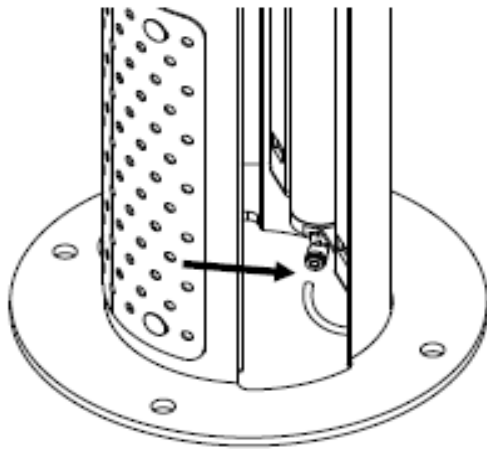
- 4** Lower the center plate to disengage the 4 tabs and slide it out of the main body.



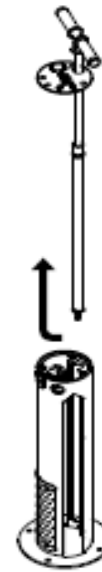
AIR KIT 4

Maintenance and Repair Instructions

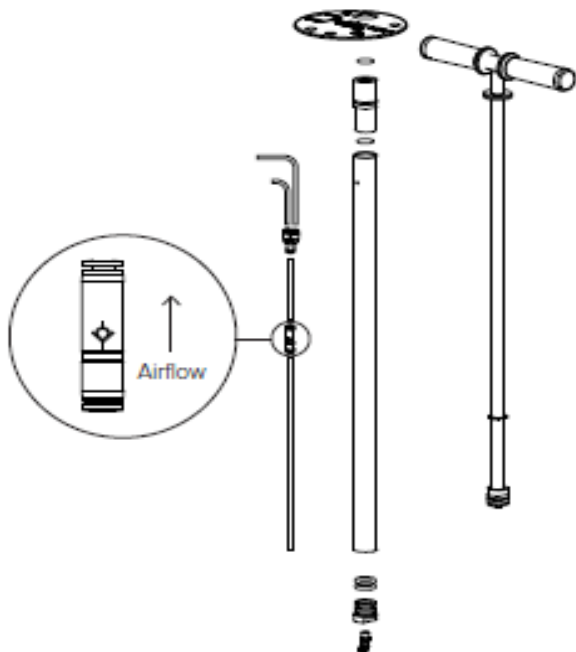
- 5** Disconnect the air line via the push-to-connect fitting at the bottom of the pump.



- 6** Slide the pump sideways out of the main body slots and then lift the whole pump out of the main body.



- 7** The pump can now be taken apart without tools for servicing.



AIR KIT 4

Repair Instructions - Changing Metal Head™



Remove Metal Head™ by turning counter-clockwise. You will need a 3/4" wrench. Replace with new Metal Head and tighten.

